

PART NAME

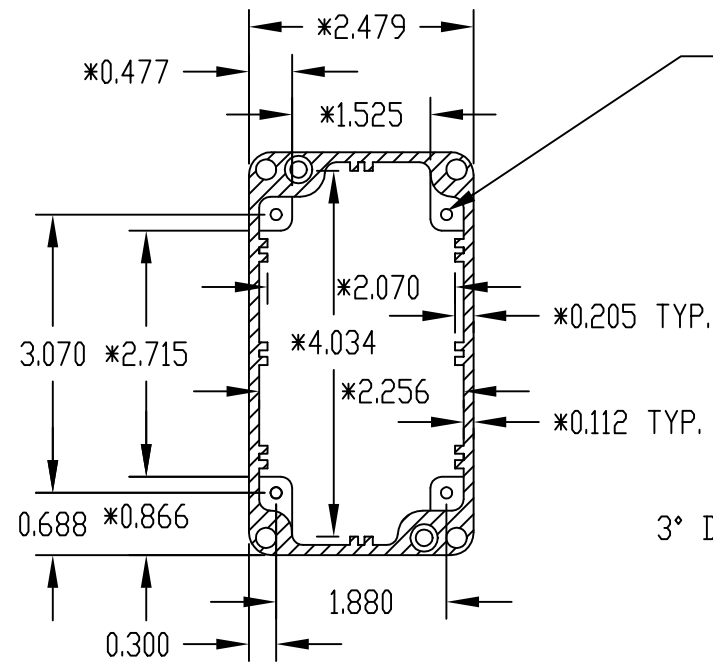
NEMA 4 ENCLOSURE

PART No.

AN-1303, AN-1303-G, AN-2803 & AN-2803-B

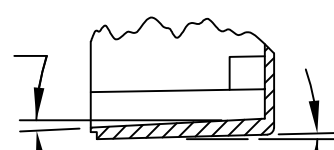
REV. DATE

12-6-07



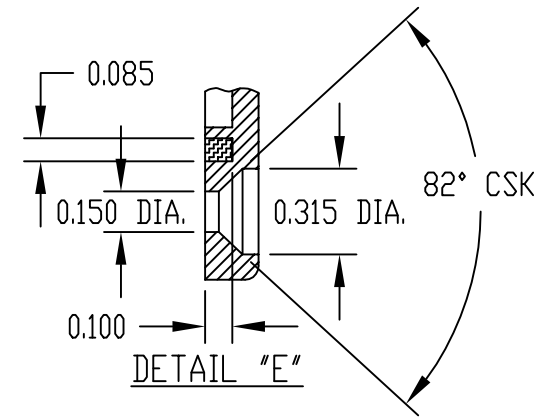
0.125 DIA. x 0.350 DEEP  
(4) PLACES  
ACCEPTS M3.5 x 6mm  
SELF-TAPPING SCREW  
(NOT SUPPLIED)

3° DRAFT REF.



SECTION "B-B"

1-1/2° DRAFT REF.



DETAIL "E"

MATERIAL: ALUMINUM ALLOY #ADC-12

FINISH: NATURAL (NO SUFFIX)

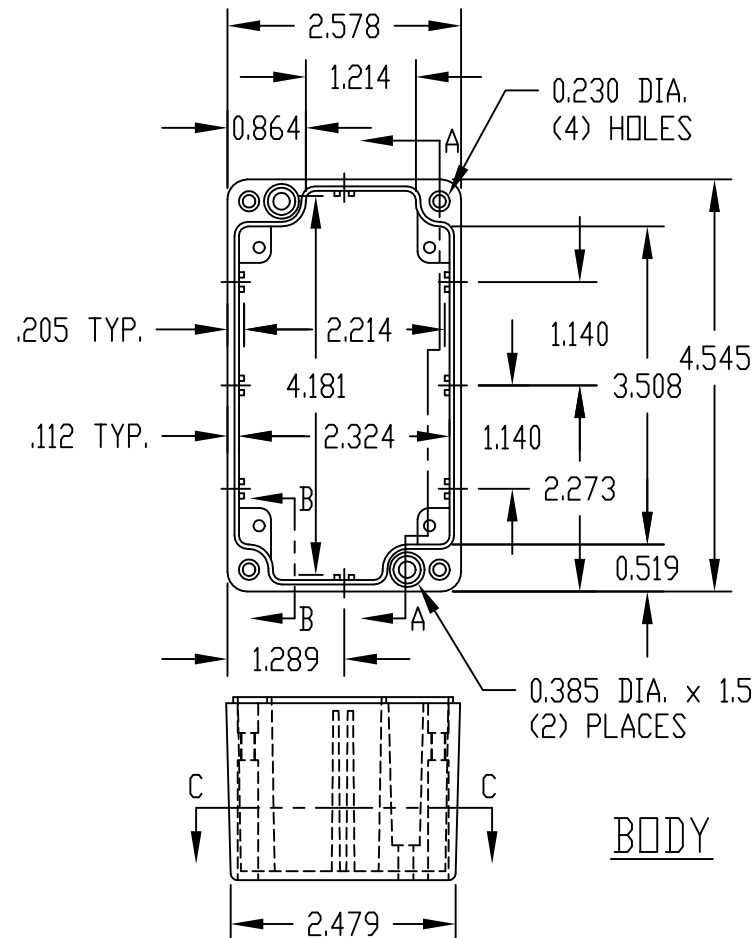
GRAY (SUFFIX -G)

SMOOTH BLACK (SUFFIX -B)

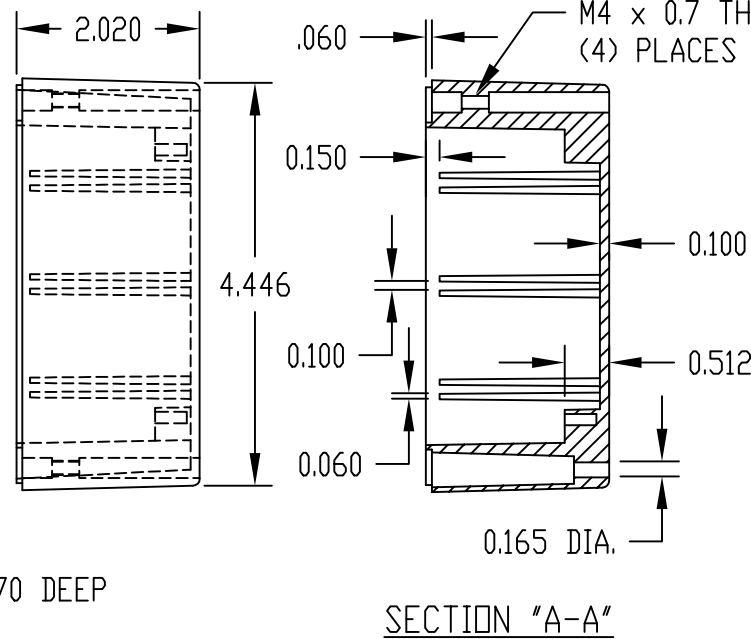
NOTES:

- 1) FOUR (4) M4 x 20mm (0.787") LG. SCREWS SUPPLIED FOR ASSEMBLY OF COVER TO BODY.
- 2) ALL HOLE DIAMETERS HAVE ±0.005 TOLERANCE ALL OTHER DIMENSIONS HAVE ±0.015 TOLERANCE

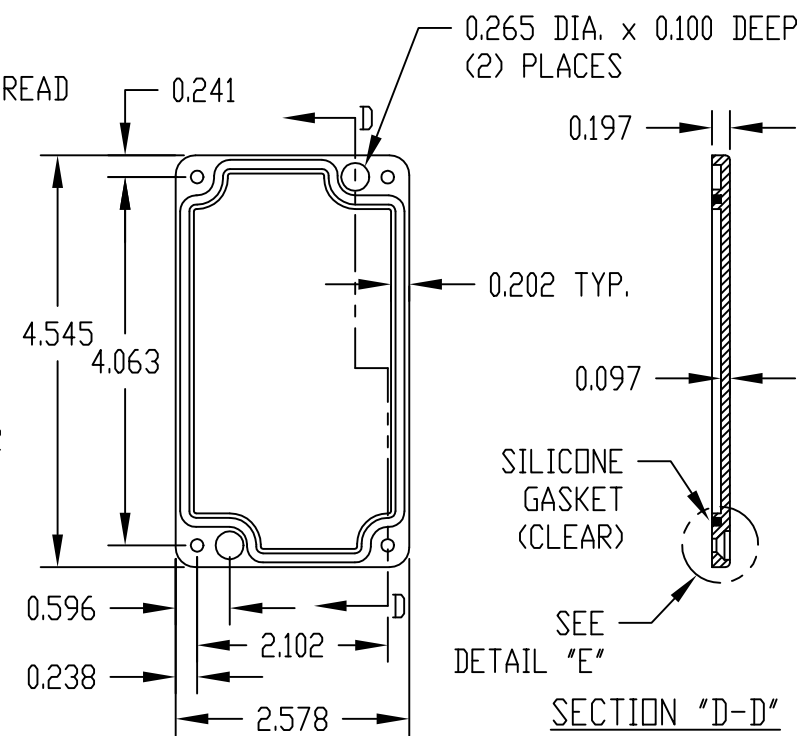
SECTION "C-C"  
\* DIMENSIONS ARE AT  
BOTTOM OF ENCLOSURE



BODY

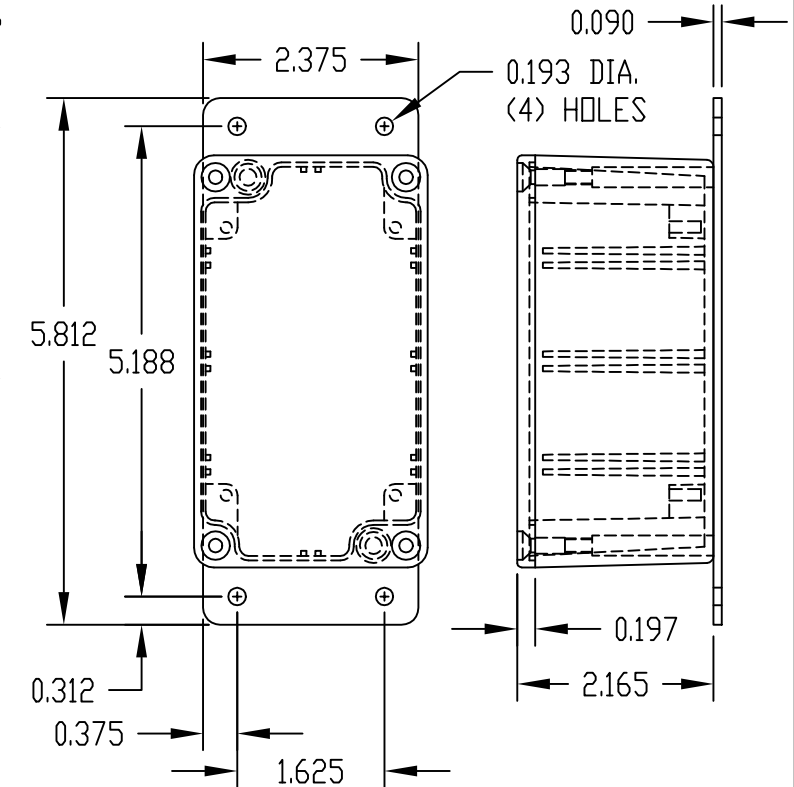


SECTION "A-A"



COVER

SILICONE GASKET (CLEAR)  
SEE  
DETAIL "E"  
SECTION "D-D"



PART NO. AN-2803 & AN-2803-B  
ARE SUPPLIED WITH A WELDED  
ON MOUNTING BRACKET ONLY.