

PART NAME

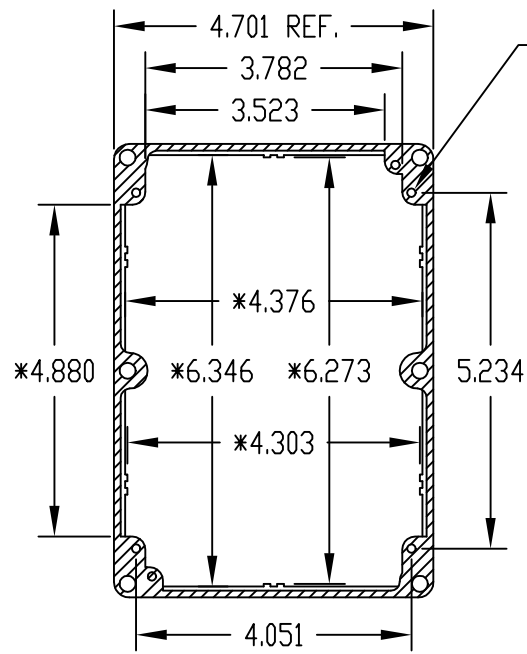
NEMA 4 ENCLOSURE

PART No.

AN-1306, AN-1306-G, AN-2806 & AN-2806-B

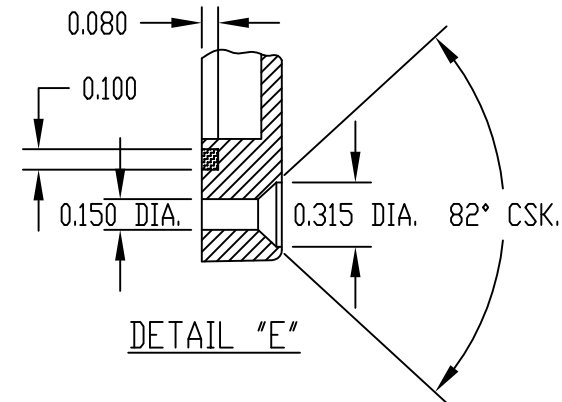
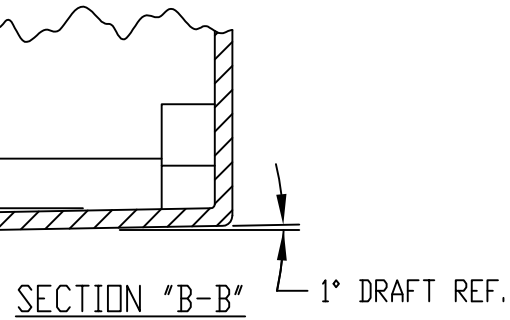
REV. DATE

12-6-07



0.125 DIA. x 0.250 DEEP
(4) PLACES
ACCEPTS M3.5 x 6mm
SELF-TAPPING SCREW
(NOT SUPPLIED)

1° DRAFT REF.



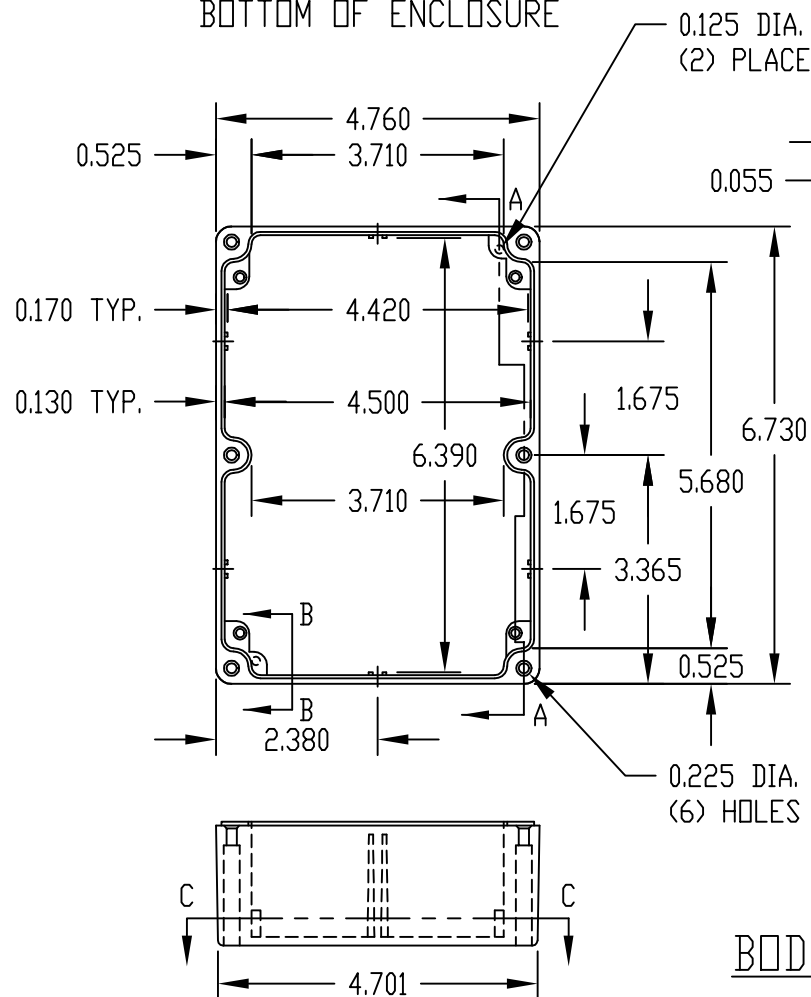
MATERIAL: ALUMINUM ALLOY #ADC-12

FINISH: NATURAL (NO SUFFIX)
GRAY (SUFFIX -G)
SMOOTH BLACK (SUFFIX -B)

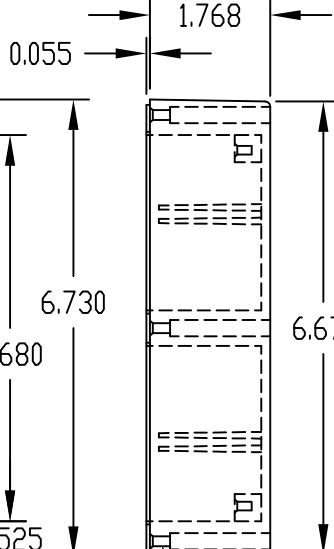
NOTES:

- 1) SIX (6) M4 x 20mm (0.787") LG. SCREWS SUPPLIED FOR ASSEMBLY OF COVER TO BODY.
- 2) ALL HOLE DIAMETERS HAVE ±0.005 TOLERANCE
ALL OTHER DIMENSIONS HAVE ±0.015 TOLERANCE

SECTION "C-C"
* DIMENSIONS ARE AT
BOTTOM OF ENCLOSURE

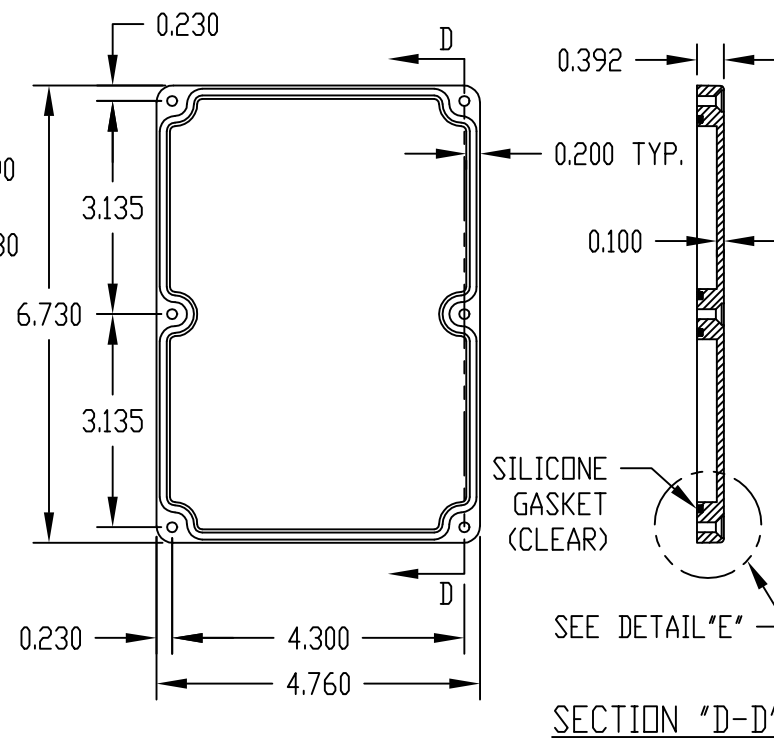


0.125 DIA. x 0.400 DEEP
(2) PLACES FAR SIDE

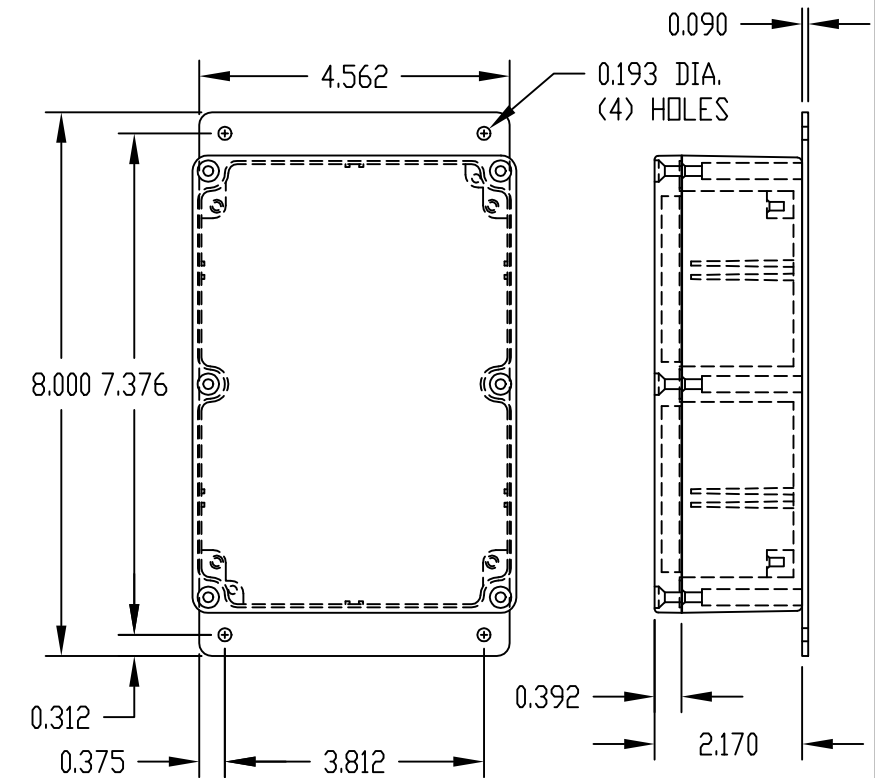


M4 x 0.7 THREAD
(6) PLACES

SECTION "A-A"



COVER



PART NO. AN-2806 & AN-2806-B
ARE SUPPLIED WITH A WELDED
ON MOUNTING BRACKET ONLY.